

START HERE

DRN-TC

THERMOCOUPLE INPUT

General Description:

The DRN Series of DIN rail-mountable signal conditioners are available for Thermocouple, RTD, Strain, Process, AC Voltage, AC Current and Pulse/Totalizer input types.

The factory calibrated signal conditioners are ideal for all process and power monitoring applications, they feature 3-way isolation, high accuracy input, programmable outputs, and are excellent front end interfaces for programmable logic controllers or data acquisition systems. For maximum user configurability the signal conditioners allow complete input-output scaling via a RS-232 connection to any PC or PLC.

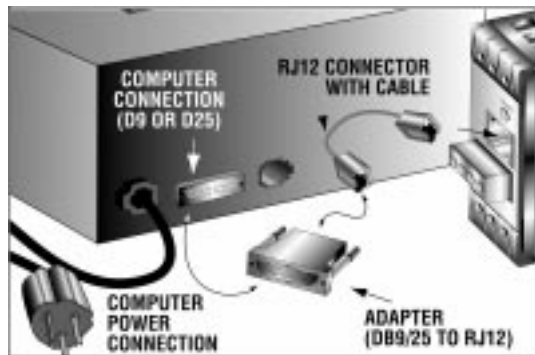
Software Description:

The signal conditioner configuration program is a MS DOS/Windows program (this manual is for the Windows version). It is designed especially for the DRN Series Signal Conditioner. This program will run on any PC with Windows application and will start automatically.

What You need:

- Your choice of the signal conditioner
- IBM PC or compatible
- Windows software 3.1 or higher, or Windows 95
- RJ12 connector with telephone cable
- Adapter (DB9/25 to RJ12)

Setting up your System



2

INPUT TYPE:

Type J,K,T,E,R,S,B,N, J DIN

Input Type	Range °F	Range °C
J	-346 to 1400°F	-210 to 760 °C
K	-454 to 2500°F	-270 to 1372 °C
T	-454 to 752 °F	-270 to 400 °C
E	-454 to 1832 °F	-270 to 1000 °C
R, S	-58 to 3214 °F	-50 to 1768 °C
B	+212 to 3308 °F	+100 to 1820 °C
N	-454 to 2372°F	-270 to 1300 °C
J DIN	-328 to 1652 °F	-200 to 900 °C

ISOLATION:

Three way isolation up to 1800 V peak for 1 minute, 354 V peak continuous per IEC spacing. Common mode rejection 100 dB

INPUT OVER-VOLTAGE PROTECTION:

250 V AC for 1 minute

ANALOG TO DIGITAL TECHNIQUE:

Dual slope

READ RATE:

3 readings/second, automatic polarity

ACCURACY AT 25 °C:

±1°C for temperature above -150 °C
±2°C for temperature below -150 °C

TEMPERATURE STABILITY:

0.05 °C/°C

STEP RESPONSE FOR RS232 OUTPUT:

2 seconds to 99% of the final value
(Filter time constant = 64)

RESPONSE TIME:

To verify the response time, check the carriage return <CR>, it will be sent at the end of the response. You can send another command after you receive the <CR>.

i.e. send: *X01

response: X01<DATA><CR>

WARM UP TO RATED ACCURACY:

30 minutes

ANALOG OUTPUT SIGNAL TYPE:

Voltage: 0-10 Volt, maximum current 10mA

Current: 0-20 mA or 4-20 mA, maximum compliance voltage 10 Volts (maximum loop resistance 500Ω)

3

ANALOG OUTPUT LINEARITY:

0.1% of FS

ANALOG OUTPUT STEP RESPONSE TIME:

2 seconds to 99% of final value

INPUT POWER:

10 to 32 Volt DC

POWER CONSUMPTION:

2.4 Watts (100 mA at 24 V DC)

OPERATING AMBIENT:

-5 to +55 °C

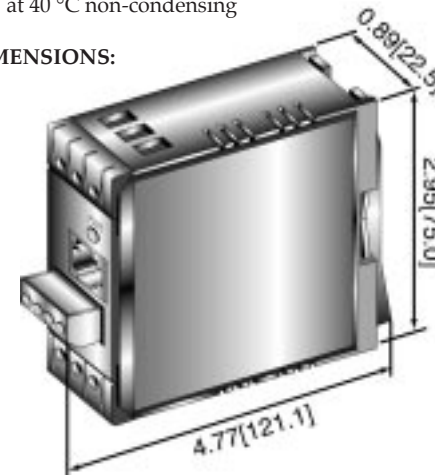
STORAGE TEMPERATURE:

-40 to +85 °C

RELATIVE HUMIDITY:

90% at 40 °C non-condensing

DIMENSIONS:

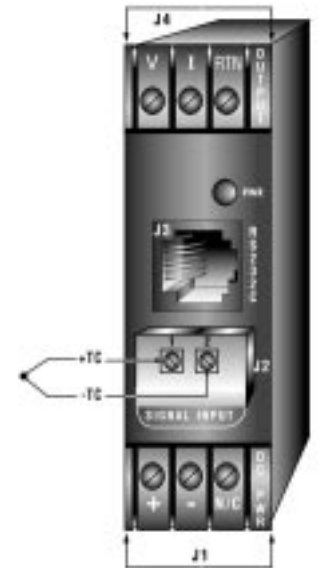


Introduction:

The thermocouple input signal conditioners are high performance instruments used to measure temperature for a variety of different T/C probe. The following thermocouple types may be used with the T/C input signal conditioners: J, K, T, E, R, S, B, N, and J DIN. Key features of the signal conditioners are built in cold junction compensation, patented algorithm for linearization of thermocouple to confirm to NIST tables, and a built-in RS232 interface for easy custom scaling. The RS232 interface may also be used for digital transmission of input signal to a computer or a PLC. Additional features include three way isolation between DC power, signal input and analog output/RS232.

4

THERMOCOUPLE VERSION



Operation:

Note: When connecting a thermocouple input signal, ensure that the input signal wires are connected correctly. All thermocouples have a positive and negative lead which if not connected properly will cause a wrong temperature reading. Signal conditioners provide certain degree of protection against high voltage spikes (250 V AC for 1 minute) which may be induced on the thermocouple wires. To ensure signal integrity and safe operation never run the signal inputs wires in the same conduit with ac power lines.

Power Input and Analog Output Setup:

To connect the signal input proceed as follows:

1. Connect a DC power supply with an output voltage between 10 to 32 Volt DC to a signal conditioner (J1).
Note: If power supply used has current limiting, it may not be able to power the signal conditioners if the available output voltage is around 10 Volt, since the peak current may reach 1 to 5 Amp for a few milliseconds.
2. Determine the thermocouple types used to measure the temperature.
3. Determine the positive and negative leads of the thermocouple and observe the polarity marked on the signal input cover. Then connect wires accordingly.



WARRANTY/DISCLAIMER

OMEGA ENGINEERING, INC. warrants this unit to be free of defects in materials and workmanship for a period of **13 months** from date of purchase. OMEGA Warranty adds an additional one (1) month grace period to the normal **one (1) year product warranty** to cover handling and shipping time. This ensures that OMEGA's customers receive maximum coverage on each product.

If the unit should malfunction, it must be returned to the factory for evaluation. OMEGA's Customer Service Department will issue an Authorized Return (AR) number immediately upon phone or written request. Upon examination by OMEGA, if the unit is found to be defective it will be repaired or replaced at no charge. OMEGA'S WARRANTY does not apply to defects resulting from any action of the purchaser, including but not limited to mishandling, improper interfacing, operation outside of design limits, improper repair, or unauthorized modification. This WARRANTY is VOID if the unit shows evidence of having been tampered with or shows evidence of being damaged as a result of excessive corrosion; or current, heat, moisture or vibration; improper specification; misapplication; misuse or other operating conditions outside of OMEGA's control. Components which wear are not warranted, including but not limited to contact points, fuses, and triacs.

OMEGA is pleased to offer suggestions on the use of its various products. However, OMEGA neither assumes responsibility for any omissions or errors nor assumes liability for any damages that result from the use of its products in accordance with information provided by OMEGA, either verbal or written. OMEGA warrants only that the parts manufactured by it will be as specified and free of defects. OMEGA MAKES NO OTHER WARRANTIES OR REPRESENTATIONS OF ANY KIND WHATSOEVER, EXPRESSED OR IMPLIED, EXCEPT THAT OF TITLE, AND ALL IMPLIED WARRANTIES INCLUDING ANY WARRANTY OF MERCHANTABILITY AND FITNESS FOR A PARTICULAR PURPOSE ARE HEREBY DISCLAIMED. LIMITATION OF LIABILITY: The remedies of purchaser set forth herein are exclusive and the total liability of OMEGA with respect to this order, whether based on contract, warranty, negligence, indemnification, strict liability or otherwise, shall not exceed the purchase price of the component upon which liability is based. In no event shall OMEGA be liable for consequential, incidental or special damages.

CONDITIONS: Equipment sold by OMEGA is not intended to be used, nor shall it be used: (1) as a "Basic Component" under 10 CFR 21 (NRC), used in or with any nuclear installation or activity; or (2) in medical applications or used on humans. Should any Product(s) be used in or with any nuclear installation or activity, medical application, used on humans, or misused in any way, OMEGA assumes no responsibility as set forth in our basic WARRANTY / DISCLAIMER language, and additionally, purchaser will indemnify OMEGA and hold OMEGA harmless from any liability or damage whatsoever arising out of the use of the Product(s) in such a manner.

RETURN REQUESTS / INQUIRIES

Direct all warranty and repair requests/inquiries to the OMEGA Customer Service Department. BEFORE RETURNING ANY PRODUCT(S) TO OMEGA, PURCHASER MUST OBTAIN AN AUTHORIZED RETURN (AR) NUMBER FROM OMEGA'S CUSTOMER SERVICE DEPARTMENT (IN ORDER TO AVOID PROCESSING DELAYS). The assigned AR number should then be marked on the outside of the return package and on any correspondence.

The purchaser is responsible for shipping charges, freight, insurance and proper packaging to prevent breakage in transit.

FOR **WARRANTY** RETURNS, please have the following information available BEFORE contacting OMEGA:

1. P.O. number under which the product was PURCHASED,
2. Model and serial number of the product under warranty, and
3. Repair instructions and/or specific problems relative to the product.

FOR **NON-WARRANTY** REPAIRS, consult OMEGA for current repair charges. Have the following information available BEFORE contacting OMEGA:

1. P.O. number to cover the COST of the repair,
2. Model and serial number of product, and
3. Repair instructions and/or specific problems relative to the product.

OMEGA's policy is to make running changes, not model changes, whenever an improvement is possible. This affords our customers the latest in technology and engineering.

OMEGA is a registered trademark of OMEGA ENGINEERING, INC.

© Copyright 1998 OMEGA ENGINEERING, INC. All rights reserved. This document may not be copied, photocopied, reproduced, translated, or reduced to any electronic medium or machine-readable form, in whole or in part, without prior written consent of OMEGA ENGINEERING, INC.

5

4. Ensure that if the selected thermocouple type is different from the default then change the internal settings in the EEPROM. This can only be done via the RS232 communication and using the configuration software explained later in this manual.

5. Connect the thermocouple wires to the screw terminal, and ensure that the screws are tight.

6. To verify that the set up is correct, you may connect a DVM to the analog output. Once connected, power the signal conditioner. If you have a thermocouple simulator then simulate a millivolt signal corresponding to the desired temperature. Measure and compare the analog output with expected values. If you are running the configuration software then the temperature corresponding to the millivolt input may be displayed

Note: When calibrating thermocouples using standard millivolt input signal source, pay attention to the cold junction compensation which is at work. Suppose you want to simulate a millivolt signal corresponding to 500 °C for type J thermocouple, while the signal conditioner is operating in a room at a temperature of 25 °C. If you look up the millivolt output for type J thermocouple in the NIST handbook, you will find that type J thermocouple outputs 27.388 mV at 500 °C. If you applied this signal 27.388 millivolt to the signal conditioner, you will notice that it would show a temperature approximately 25 °C higher or about 525 °C. The reason is that a real thermocouple is a differential device meaning that it generates a signal that is proportional to the difference in temperature between it's cold and hot junction. So the real thermocouple's signal would have been about 1.277 millivolt less corresponding to the 25°C room temperature. Therefore you must apply a signal equal to:

Signal input = 27.388-1.277=26.111 mV. Applying this signal 26.111 will display the correct temperature.

7. To view/change the scaling that relates the analog output to signal input: Connect the RS232 output of the signal conditioner to an available serial port of a computer. The cable and the DB9 or DB25 connectors are available as an option.

8. Turn on the computer, start Windows 3.0 or higher and run the Signal Conditioner Configuration Setup Program. If the program has not been installed, then insert the 3.5" floppy disk in either drive A or B. From the Program Manager choose File, Run; in the command box type either A: setup or B: setup according to your drive designation. The program will create an icon for the signal conditioner. You may start the program by clicking on this icon.



This device is marked with the international hazard symbol. It is important to read the Setup Guide before installing or commissioning this device as it contains important information relating to safety and EMC.

6

9. To start the configuration program, you need to indicate which serial port is to be used for serial communication by checking the appropriate check box on the opening menu.

Note: It is not necessary to know the serial communication protocol. i.e. baud rate, parity, 7/8 data bit and stop bit; the program will determine this information automatically. However, it is a good practice to mark the protocols used on the signal conditioner label if different from default.

10. Once the program starts it will automatically detect the signal conditioner configuration and will display a window of available options. To view the signal input click on the display on/off.

11. To change analog output scaling choose Analog Output Scaling and enter the desired values.

12. Once the custom scaling is finished, ensure that **Send Configuration** is clicked, otherwise the changes will not take effect.

13. The input/output scaling may be fine tuned, while both communication and analog output are active. You may make a change to the analog output in the configuration program, and watch the DVM connected to analog output of the signal conditioner follow the new settings.

14. You may save or print a particular configuration by selecting the file menu. It's always a good practice to both print and save the scaling of each signal conditioner.

15. If the program is not able to establish communication then an error message is displayed. This happens either when the wrong serial port is specified or when the cable is disconnected.

It is the policy of OMEGA to comply with all worldwide safety and EMC/EMI regulations that apply. OMEGA is constantly pursuing certification of its products to the European New Approach Directives. OMEGA will add the CE mark to every appropriate device upon certification.

The information contained in this document is believed to be correct but OMEGA Engineering, Inc. accepts no liability for any errors it contains, and reserves the right to alter specifications without notice.

WARNING: These products are not designed for use in, and should not be used for, patient connected applications.

PATENT AND TRADEMARK NOTICE: This product is covered by one or more of the following patents: U.S. PATENT NO. 5,274,577/ CANADA 2,052,600/ ITALY 1,249,456; 1,250,938/ SPAIN 2,039,150; 9,102,259/ UK GB2,249,837; 2,248,954/ FRANCE BREVET 9,112,756 / GERMANY DE 4134398C2. USED UNDER LICENSE.

Ω OMEGA, **omega.com** are trademarks of OMEGA Engineering, Inc.



Made in the USA

Y2K
Year 2000
Compliant



DRN-TC

Thermocouple Input Signal Conditioner

omega.com
Ω OMEGA

OMEGAnet® On-Line Service http://www.omega.com	Internet e-mail info@omega.com
---	--

Servicing North America:

USA: ISO 9001 Certified	One Omega Drive, Box 4047 Stamford, CT 06907-0047 Tel: (203) 359-1660 e-mail: info@omega.com	FAX: (203) 359-7700
-----------------------------------	---	---------------------

Canada:	976 Bergar Laval (Quebec) H7L 5A1 Tel: (514) 856-6928 e-mail: info@omega.ca	FAX: (514) 856-6886
----------------	---	---------------------

For immediate technical or application assistance:

USA and Canada:	Sales Service: 1-800-826-6342 / 1-800-TC-OMEGA SM Customer Service: 1-800-622-2378 / 1-800-622-BEST SM Engineering Service: 1-800-872-9436 / 1-800-USA-WHEN SM TELEX: 996404 EASYLINK; 62968934 CABLE: OMEGA
------------------------	--

Mexico and Latin America:	Tel: (95) 800-TC-OMEGA SM En Español: (203) 359-7803	FAX: (95) 203-359-7807 e-mail: espanol@omega.com
----------------------------------	--	--

Servicing Europe:

Benelux:	Postbus 8034, 1180 LA Amstelveen, The Netherlands Tel: (31) 20 6418405 Toll Free in Benelux: 0800 0993344 e-mail: nl@omega.com	FAX: (31) 20 6434643
-----------------	---	----------------------

Czech Republic:	ul. Rude armady 1868, 733 01 Karvina - Hranice Tel: 420 (69) 6311899 e-mail: czech@omega.com	FAX: 420 (69) 6311114
------------------------	---	-----------------------

France:	9, rue Denis Papin, 78190 Trappes Tel: (33) 130-621-400 Toll Free in France: 0800-4-06342 e-mail: france@omega.com	FAX: (33) 130-699-120
----------------	---	-----------------------

Germany/Austria:	Daimlerstrasse 26, D-75392 Deckenpfronn, Germany Tel: 49 (07056) 3017 Toll Free in Germany: 0130 11 21 66 e-mail: germany@omega.com	FAX: 49 (07056) 8540
-------------------------	---	----------------------

United Kingdom: ISO 9002 Certified	One Omega Drive, River Bend Technology Centre Northbank, Irlam, Manchester, M44 5EX, England Tel: 44 (161) 777-6611 Toll Free in England: 0800-488-488 e-mail: info@omega.co.uk	FAX: 44 (161) 777-6622
--	---	------------------------